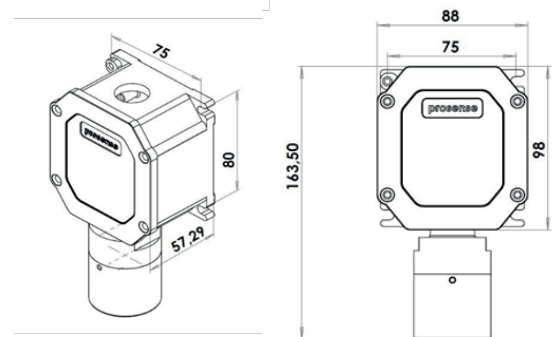
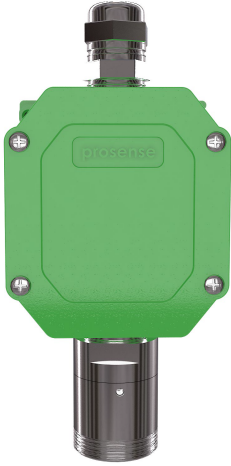


PC3-3012 LPG GAS DETECTOR



EN60079-0 EN60079-1 EN60079-18

FEATURES

▶ High Price-Performance Ratio

PC3 has a certain higher price-performance ratio considering its substitutes in the market.

▶ Well-Suited Solution for Light Industry

PC3 is specially designed for the light industry as a Category 3 device.

▶ Accurate Readings

Electrochemical, and Catalytic sensors undoubtedly provide an accurate and sensitive measurement.

▶ Ready to Operate

4-20mA Analog is provided onboard to operate properly without any additional setup. Additionally, it can be integrated into other systems with Modbus RS485 RTU and relay module.

▶ Automatic Calibration

Detector calibration can be done automatically via preset values recorded in detector software once calibration requirements are provided.

▶ Fail-Safe Technology Alarming

Alarm 1 and Alarm 2 relays are easy to set to default LEL, ppm, VOL levels. The fault relay output properly indicates fault status.

▶ Robust and Reliable Housing

Epoxy painted aluminum housing and IP65 protection class allow to use in harsh environmental conditions.

▶ Universal Outputs

4-20mA Analog, Modbus RS485 RTU, and relay outputs are simple to operate efficiently and they are universally usable in any control panel.

▶ Applications

- Process Industry
- Chemical Industry
- Food and Medicine Facilities
- Gas Distribution Stations
- Laboratories

TECHNICAL SPECIFICATIONS

Sensing Type	Catalytic
Output Signals	4-20mA Analog, Modbus RS485 RTU
Sensor Warm-Up	60sec
Response Time	<25sec
Accuracy	%±1
Operating Temperature	-20°C ~ +50°C
Humidity	5 ~ 95%RH Non-Condensing
Input Voltage	Min 10VDC - Max 32VDC Nominal 24VDC
Power Consumption	Max.2W
Optional Relay Outputs	2 Alarms (Selectable), and 1 Fault (All relays are NO/NC adjustable)
Cable Entry	1x 1/2"NPT
Ingress Protection	IP65
Enclosure	Epoxy Painted Die-cast Aluminium
Sensor Head	Nickel-plated Brass SH10
Dimensions	190x110x70mm
Weight	810gr
Hazardous Class	Zone 2 - Category 3
Standards (Sensor Head)	EN 60079-0 - EN 60079-1 EN 60079-18